

PA-5685

› 15.6" Intel® KabyLake U Series POS Terminal

NEW



Features



- True fanless with Aluminum die casting back cover
- HDD easy maintenance design
- Panel-PC optional MSR / i-Button / Fingerprint / VFD / 2nd Display
- Optional 2" or 3" thermal printer stand

Specifications



System	CPU Support	Intel® Kaby Lake U Series Core-i3 7100U Pentium® 4415U Celeron 3965U
	Memory	1 x DDR4 SO-DIMM slot (Max. up to 16GB)
	Network	Gigabit 10/100/1000 Base-T Fast Ethernet
	Power Supply	60~90 watt power adapter
	Audio	2W speaker
	System Weight	Approx. 6 kg with normal-stand bundled power adapter
	Dimensions (W x H x D)	391 x 250 x 49 mm
	O.S. Support	Windows IoT10
Storage	SATA1	1 x 2.5" HDD or SSD
	SATA2	1 x M.2 SSD
I/O Ports	USB	Rear: 2 x USB 2.0 / 2 x USB 3.0 Side: 1 x USB 2.0
	Serial Ports	1 x DB9 + 2 x RJ45 + optional 1 x RJ45 (all support +5V/12V selectable)
	LAN	1 x RJ45, GIGA
	VGA	1 x DB15
	DP	1 x DP port
	Cash Drawer	1 + 1 (option, with Y cable) x RJ11 (12V/24V selectable)
	HDD Slot	1 x HDD maintenance slot
	DC In	1 x 4pin DC power jack
	DC12V Out	1 x 3pin connector for Protech 2nd display
	DC 24V Out	1 x 4pin connector for Protech embedded printer stand
	Line Out	1 x 3.5 mm phone jack
	MIC	1 x 3.5 mm phone jack
Add-ons	Customer Display	VFD, 20 columns and 2 lines, each column is 5 x 7 dots
	MSR & iButton	JIS I,II, ISO Track1+2+3 (PS/2 interface)
	2nd Display	Hang on back: 10.4" LCD Stand-alone: 15" LCD
	Fingerprint	8-bit grayscale reader
Display	Printer Stand	2" or 3" easy loading thermal printer with auto-cutter with stand
	LCD	15.6" TFT LCD
	Max. Resolution	1366 x 768
	Brightness	220 cd/m ²
Environment	Touchscreen	Bezel-free projected capacitive
	EMC & Safety	CE / FCC
	Operating Temp.	0~35°C
	Storage Temp.	-5~60°C
Humidity	20~90%	

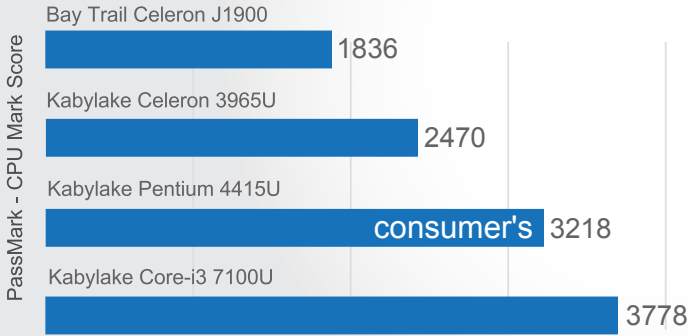
*All information contained in this document is subject to change without prior notice. Please log on www.protech.com.tw to acquire latest information.

Applications

- Automation
- Retail
- Information

Highlights

Fanless & High Performance



Triple Display Support



1st Display
1366x768 pixel
via internal LVDS

2nd Display
1080P@60Hz via VGA

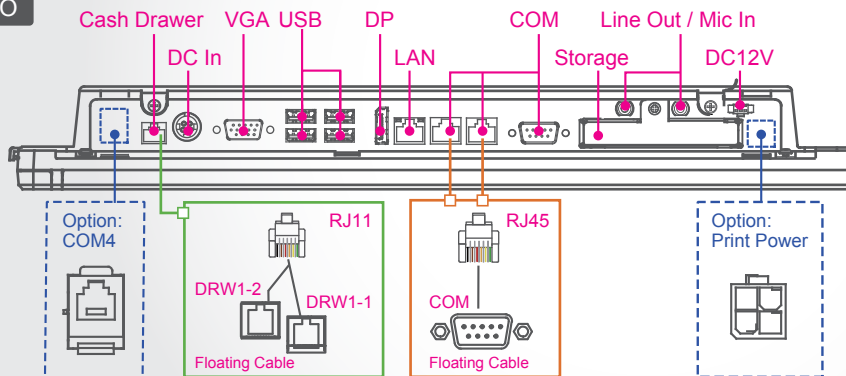


3rd Display
4096x2304@60Hz via DP

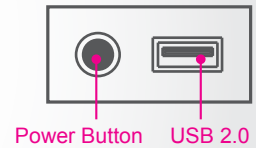


System I/O Ports

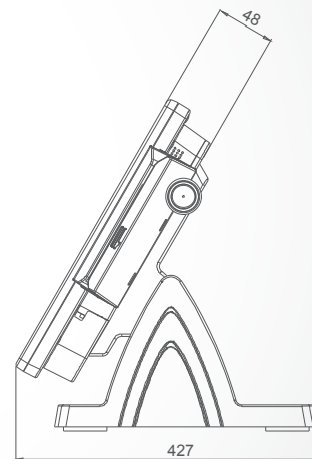
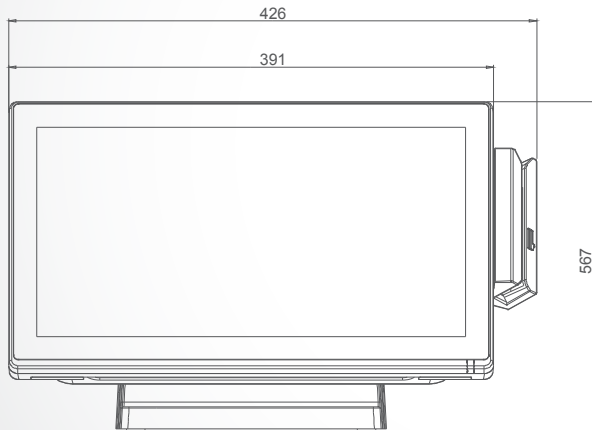
Rear I/O



Side I/O



Dimensions



unit: mm